

Brookstone®

Fingerprint Lock

USER MANUAL



FC CE ♻️ RoHS

FCC NOTE:

This device complies with Part 15 of the FCC Rules. Operation is This equipment has been tested and found to comply with the limits for a Class B digital device, pursuant to part 15 of the FCC Rules. These limits are designed to provide reasonable protection against harmful interference in a residential installation. This equipment generates uses and can radiate radio frequency energy and, if not installed and used in accordance with the instructions, may cause harmful interference to radio communications. However, there is no guarantee that interference will not occur in a particular installation. If this equipment does cause harmful interference to radio or television reception, which can be determined by turning the equipment off and on, the user is encouraged to try to correct the interference by one or more of the following measures:

- Reorient or relocate the receiving antenna.
- Increase the separation between the equipment and receiver.
- Connect the equipment into an outlet on a circuit different from that to which the receiver is connected.
- Consult the dealer or an experienced radio/TV technician for help

Changes or modifications not expressly approved by the party responsible for compliance could void the user's authority to operate the equipment.

This device complies with Part 15 of the FCC Rules. Operation is subject to the following two conditions:

(1) this device may not cause harmful interference, and (2) this device must accept any interference received, including interference that may cause undesired operation.

For more products please visit www.brookstone.com

WARRANTY INFORMATION

One Year Limited Warranty.

Customer Service: 732-994-2301; email: help@smartpointco.com

The BROOKSTONE trademark, names and logos are owned by

BKST Brand Holdings LLC ©2021. All rights reserved

Manufactured, marketed and distributed by Smartpoint LLC, under license

All Trademarks and Registered Trademarks are property of their respective owners

Made in China

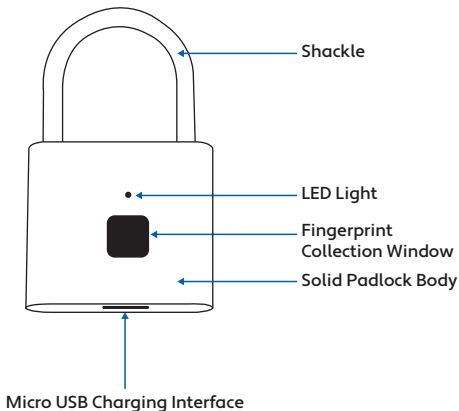
©Smartpoint LLC,

250 Liberty Street, Suite 1A

Metuchen, NJ 08840

PRODUCT CONFIGURATION

Lock design and functionality is easy to learn how to use.



Items included in package:
Fingerprint Lock, User Manual and USB cable.

SPECIFICATIONS

Number of fingerprints stored: 10

Press times for fingerprint entry: 10 times

Standby Time: 1 Year

Charging Time: 1-2 hrs.

Emergency Charging Interface: Micro USB

Battery Type: Rechargeable Lithium Battery

Fingerprint Collection Window:

Square 10.4 x 10.4mm

Indication of States/Mode: 3 color LEDS + Buzzer

Waterproof Level: IP62

Anti-Static Level: Contact Type +4K,

Air discharge +8K

Fingerprint identification rate: <0.0001%

Fingerprint rejection rate: <0.1%

Working environment Temp: -13°F - 167°F

MAIN FUNCTIONS

1. Uses a fingerprint scanner to open the padlock for a quick, secure locking mechanism.
2. With the ability to store up to 10 individual fingerprints the lock can have up to 10 different users.
3. Easily programmable.
4. Uses micro USB interface for charging. If you received the low battery LED prompt (flashes red for 10 seconds) plug micro USB cable into bottom of lock and then plug into wall charger or computer to recharge. Complete charge time is 1-2 hours.
5. After entering 1 or more fingerprints, when you scan an authorized fingerprint the light will show green ●. If an unauthorized fingerprint is scanned, the light will show red ●.

SETUP INSTRUCTIONS

Adding first fingerprint (Administrator)

1. Press and hold the fingerprint collection window for 5 seconds until light blinks blue ● rapidly and then take your finger off.
2. Use the finger you want to add the fingerprint off and place it on and off the collection window repeatedly until you see the green light. ● (Usually about 5 times) The green light means it registered your fingerprint successfully and you may now start using your fingerprint lock with the fingerprint you set in the lock. If the lock shows a red light ● during set up your fingerprint failed to scan and you will need to restart the process.

During set up process, if you wait 15 seconds while the light is blinking blue ● without touching the fingerprint scanner, the set up process will time out and you will have to start at step 1 again.

Adding fingerprints 2 -10

1. Press and hold the fingerprint collection window for 5 seconds until light shows blue solid and then take your finger off. ●
2. Then scan the finger you used the first time setting up the lock which is now the administrators fingerprint.
3. The light will then begin to blink blue rapidly. ●
4. You can now add an additional fingerprint using the same method as the first fingerprint by following the steps on the previous page in step 2.
5. Repeat this process to add up to 10 fingerprints in total.

Deleting all fingerprints

1. Press and hold the fingerprint collection window for about 12 seconds. The light will flash green ●, then blink blue ●, then show solid blue ●. After solid blue light turns off, release your finger and then you will see the red light ●.
2. Then scan the administrators fingerprint(*the first fingerprint you added*). It will flash green ● once again.
3. You have now successfully deleted all fingerprints in your lock and it is restored to factory settings.

LOW BATTERY ALARM

Is the battery gets low the light will blink red ● for 10 seconds after unlocking. Please charge as soon as possible.

The lock can still be used about 200 times after the low battery alarm shows.

If the battery gets too low to operate, connect the Micro USB cable to a power source. If the lock is locked onto an item that cannot be moved close to a power source you can power the lock by connecting the Micro USB cable to portable charger that has a USB port.

CHARGING THE LOCK

When the lock is charging it will show a red light ●.

The light will turn off when lock is fully charged.